

Micro SD (TF) Card + USB Play MP3 Decoder Module

Specifications:

Operating voltage: 3V ~ 5.5VDC

Current: 25mA ~ 40mA

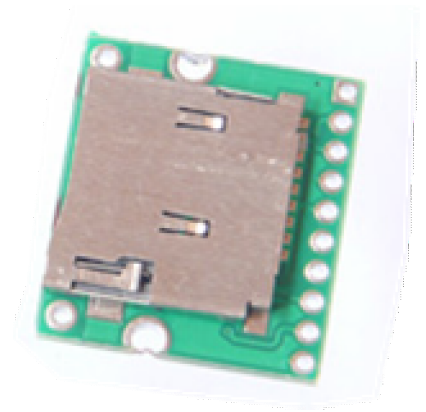
Output level: 0V~1.6V

Output power: 0~350mW

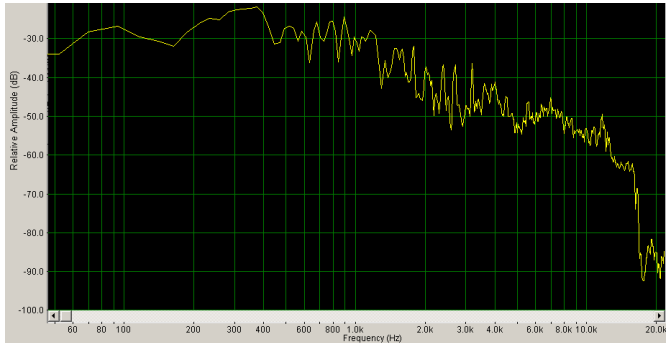
Supports MP3 format

Support for infrared remote control,

Support MCU simulation control

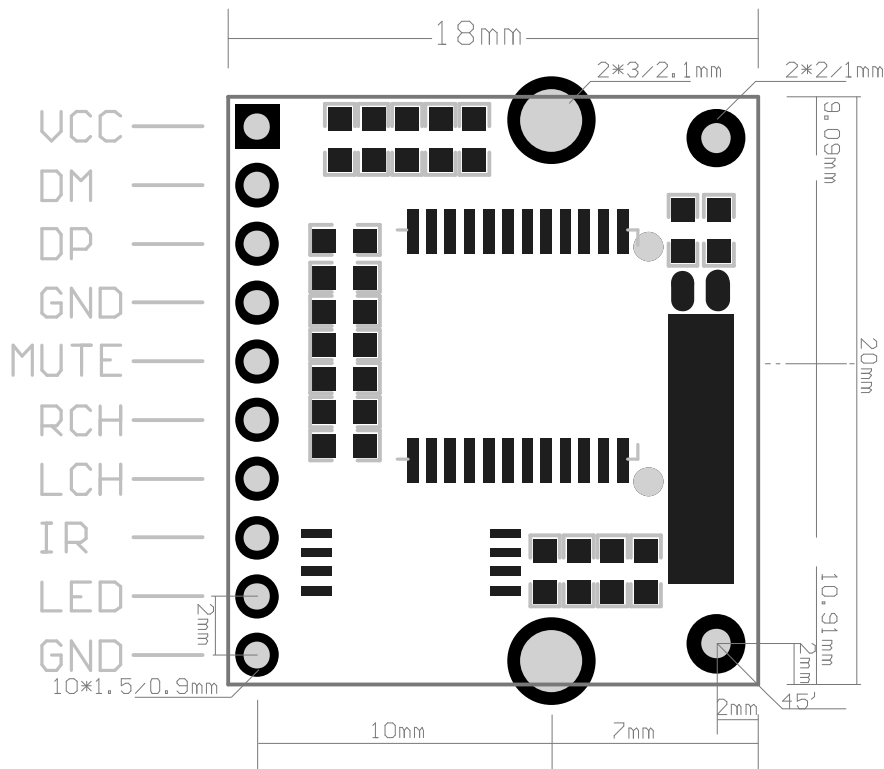
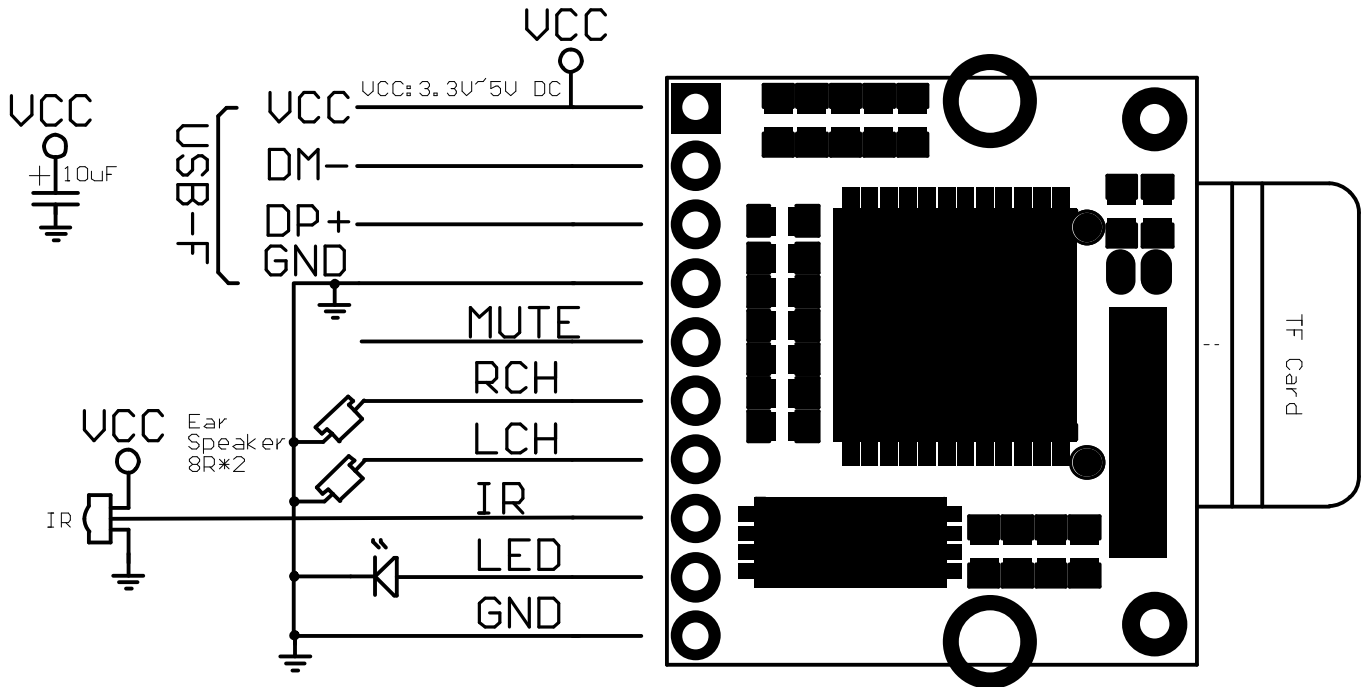


Audio Features:



USB + TF card MP3 Play Module Application and Dimension

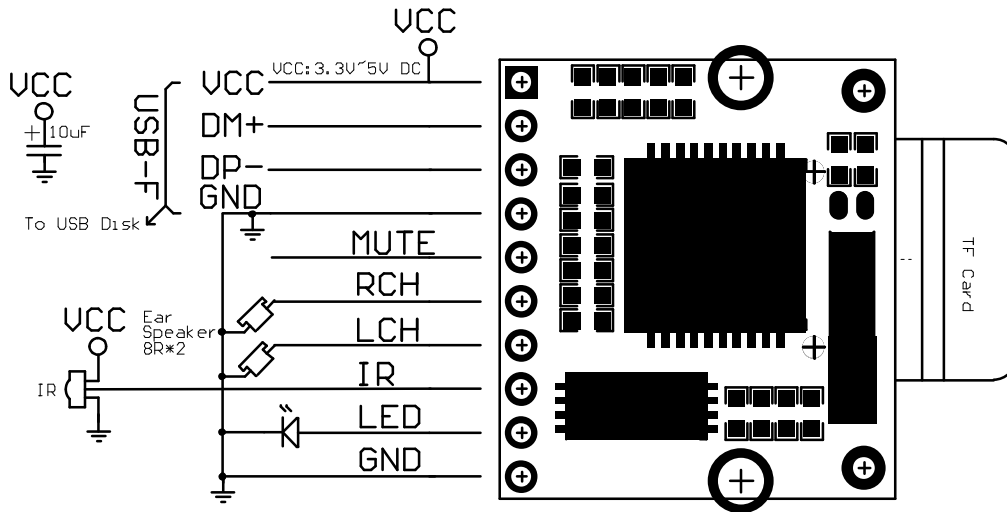
Application examples:



Application:

- Stereo headphone
- IR remote control music
- MP3 Broadcast
- Automatic music play
- Wireless speaker play
- Furniture music
- Smart device
- Toy Music

USB & TF card play mode



Only TF card play mode

