

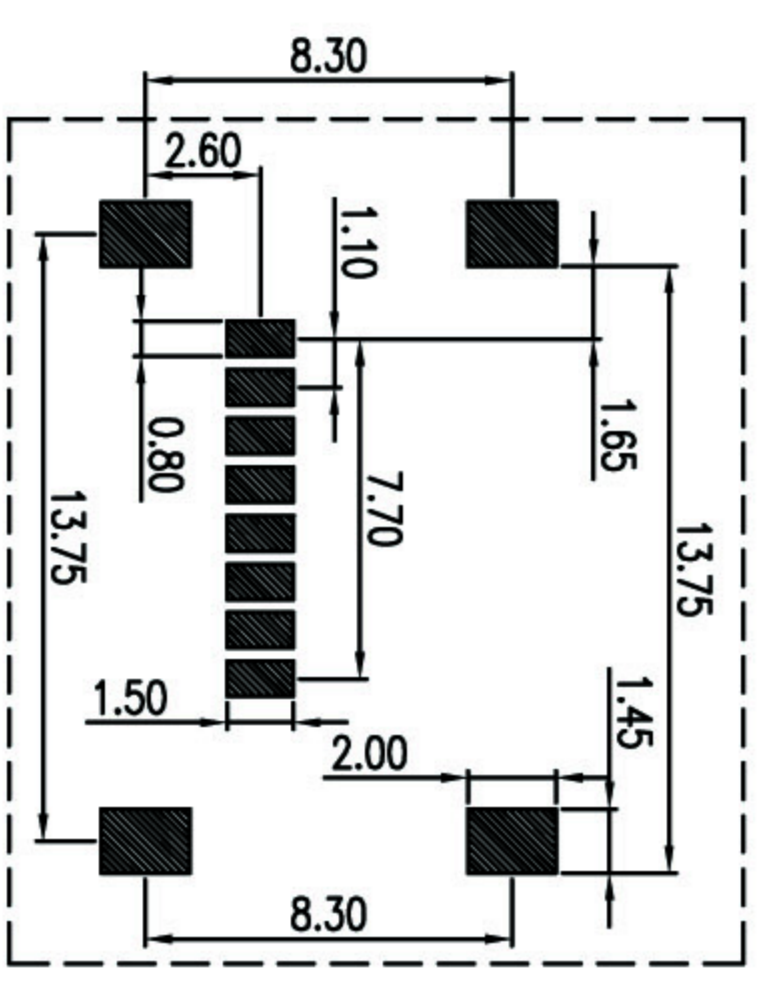
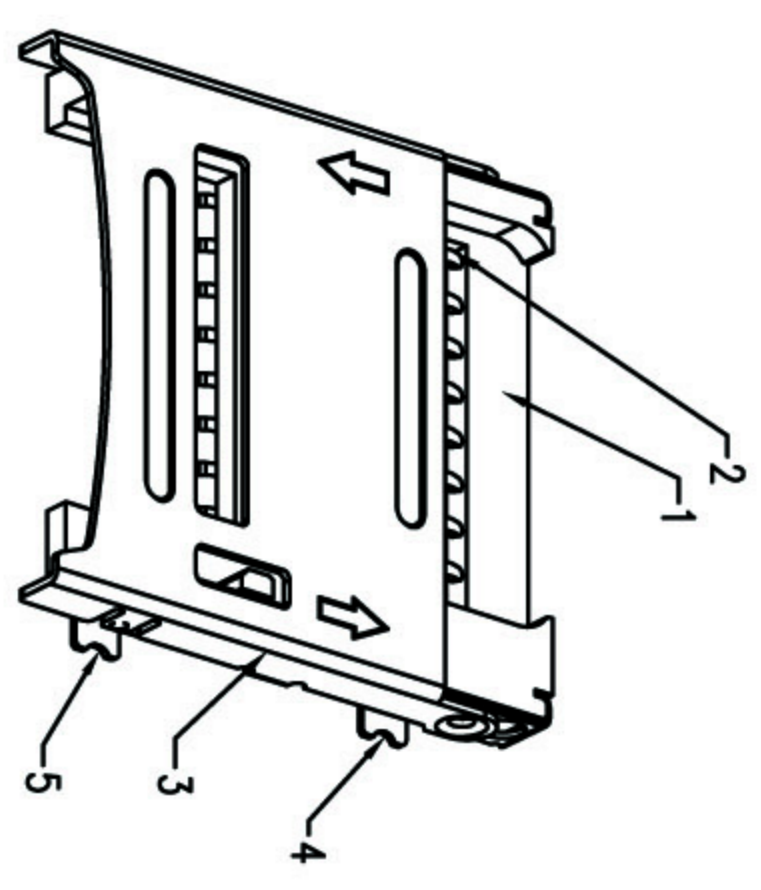
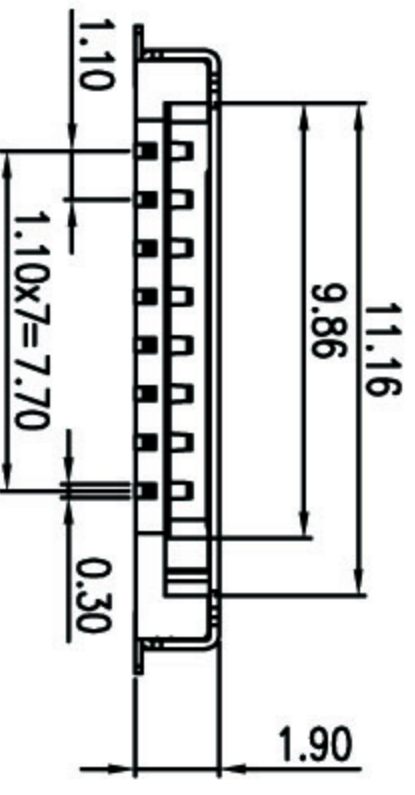
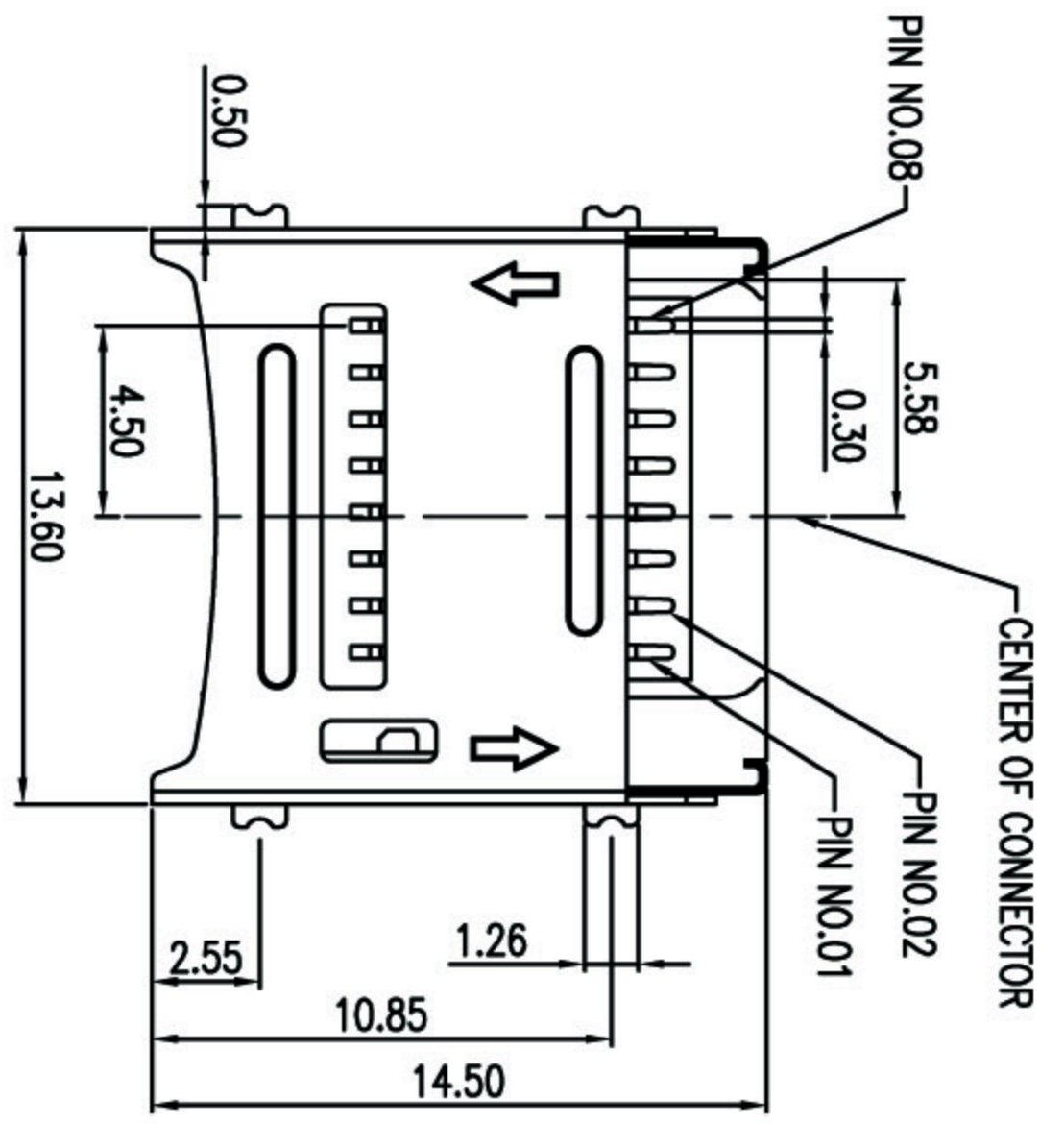
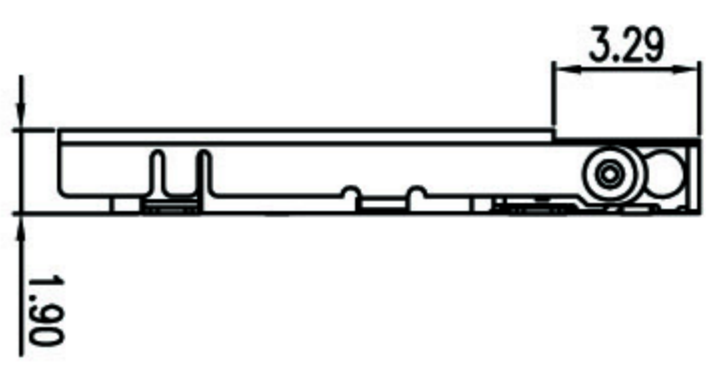
REV.	ECN	DESCRIPTION	DRAWING/DATE	CHECKED/DATE	APPROVED/DATE
A		NEW RELEASE	Jhon 09/20/05		

NOTES:  
 1. MATERIAL, SEE TABLE A  
 2. PACKAGE: TAPE&REEL

PRODUCT NO.

09 - 08 2 1 1 00  
 ① ②

① PRODUCT SERIES:  
 09: T-FLASH CARD CONNECTOR  
 ② PIN NO:  
 08: 8PIN



RECOMMENDED PCB LAYOUT  
 TOLERANCES ±0.05

ITEM	NAME	QTY/EACH	MATERIAL/FINISHED	REMARK
5	PAD	2	COPPER ALLOY SN PLATED	
4	HINGE	2	COPPER ALLOY SN PLATED	
3	SHELL	1	STAINLESS STEEL	
2	CONTACT	8	COPPER ALLOY MATING AREA Au PLATED	
1	HOUSING	1	THERMOPLASTIC UL94V-0, BLACK	

GENERAL TOLERANCE		UNIT	TITLE	
X.	±0.20	mm	FINISHED	T-FLASH CARD CONNECTOR
.X	±0.15		MATERIAL	P/N
.XX	±0.15		APPROVED	09-0821100
ANGEL	±2.0°		CHECKED	9-09-00
X.	±1.0°		DESIGN	
.XX	±0.5°			