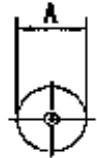
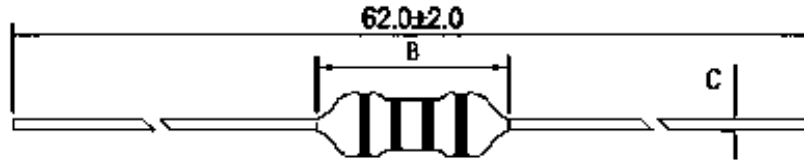




Color Ring Inductance

Dimensions (mm):

Name	A(Max)	B	C
LGA0204	2.8	4.0	0.5±0.1
LGA0307	3.0	7.0	0.5±0.1
LGA0410	4.0	10.0	0.6±0.1
LGA0510	5.0	10.0	0.6±0.1



LGA0510 inductance and rated current ranges: 1.2mH~100mH 110mA~5mA

Color ring inductance

Part Name	Inductor value (mH)	Quality factor (MIN)	Measuring Frequency (MHz)	SRF (MHz)MIN	DC resistance (OHM)MAX(at	Rated Current (mA)
LGA0510-122K	1.2	80	0.1	0.252	9	75
LGA0510-152K	1.5	80	0.1	0.252	10	69
LGA0510-182K	1.8	80	0.1	0.252	11	60
LGA0510-222K	2.2	80	0.1	0.252	14	58
LGA0510-272K	2.7	80	0.1	0.252	18	52
LGA0510-332K	3.3	80	0.1	0.252	22	48
LGA0510-392K	3.9	80	0.1	0.252	26	45
LGA0510-472K	4.7	80	0.1	0.252	32	40
LGA0510-562K	5.6	70	0.1	0.252	34	37
LGA0510-682K	6.8	70	0.1	0.252	45	34
LGA0510-822K	8.2	50	0.1	0.252	60	31
LGA0510-103K	10	50	0.1	0.0796	70	28
LGA0510-123K	12	50	0.1	0.0796	82	24
LGA0510-153K	15	50	0.1	0.0796	89	22
LGA0510-183K	18	40	0.1	0.0796	141	14
LGA0510-223K	22	40	0.1	0.0796	170	12
LGA0510-253K	25	40	0.1	0.0796	185	11
LGA0510-273K	27	40	0.1	0.0796	210	9.5
LGA0510-303K	30	40	0.1	0.0796	240	8.5
LGA0510-333K	33	40	0.1	0.0796	250	8.0

※ Description of part name:

LGA 0510 – 100 K

1 2 3 4

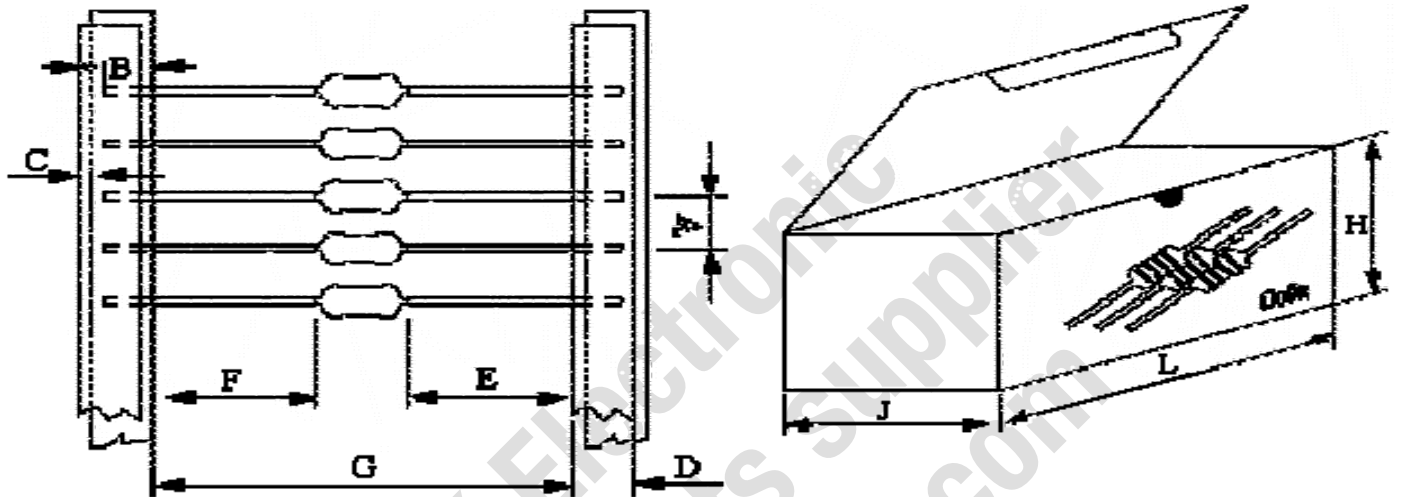
1 Product Type: color ring inductance

2 Product Size

3 Inductance value: Example: 100 = 10uH

4 Inductance Tolerance Code (J: +5%; K: +10% ; M: +20%)

※ Rated current: The DC current at which the inductance decreases to 75% of it's nominal value or when $\Delta t=40^{\circ}\text{C}$, whichever is lower($T_a=20^{\circ}\text{C}$).



A	D	G	LGA0204	LGA0307	LGA0410	LGA0510
5mm	6mm	52mm	4000pcs/Box	3000pcs/Box	2000pcs/Box	1000pcs/Box
	Bulk		1000pcs/Bag	1000pcs/Bag	1000pcs/Bag	1000pcs/Bag