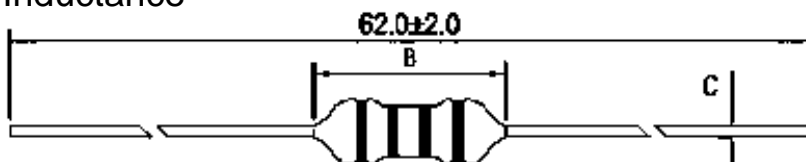


Dimensions (mm):

Name	A(Max)	B	C
LGA0204	2.8	4.0	0.5 0.1
LGA0307	3.0	7.0	0.5 <sup>±</sup> 0.1
LGA0410	4.0	10.0	0.6 <sup>±</sup> 0.1
LGA0510	5.0	10.0	0.6 <sup>±</sup> 0.1



Color Ring Inductance



LGA0307 inductance and rated current ranges: 0.1uH~1.0mH 700mA~60mA

Color ring inductance

Part Name	Inductor value (uH)	Quality factor (MIN)	Measuring frequency (MHz)	SRF (MHz)MIN	DC resistance (OHM)MAX(at 20	Rated Current
LGA0307-R10K	0.10	40	25.2	470	0.08	700
LGA0307-R12K	0.12	40	25.2	450	0.08	700
LGA0307-R15K	0.15	40	25.2	430	0.09	700
LGA0307-R18K	0.18	40	25.2	410	0.10	700
LGA0307-R22K	0.22	40	25.2	380	0.12	700
LGA0307-R27K	0.27	40	25.2	360	0.15	680
LGA0307-R33K	0.33	40	25.2	350	0.16	680
LGA0307-R39K	0.39	40	25.2	320	0.18	680
LGA0307-R47K	0.47	40	25.2	300	0.26	650
LGA0307-R56K	0.56	40	25.2	280	0.38	500
LGA0307-R68K	0.68	40	25.2	250	0.42	500
LGA0307-R82K	0.82	40	25.2	200	0.55	450
LGA0307-1R0K	1.0	65	25.2	180	0.12	700
LGA0307-1R2K	1.2	50	7.96	165	0.18	700
LGA0307-1R5K	1.5	50	7.96	150	0.20	700
LGA0307-1R8K	1.8	70	7.96	125	0.23	655
LGA0307-2R2K	2.2	50	7.96	85	0.25	630
LGA0307-2R7K	2.7	60	7.96	80	0.28	595
LGA0307-3R3K	3.3	60	7.96	75	0.30	575
LGA0307-3R9K	3.9	60	7.96	65	0.32	555
LGA0307-4R7K	4.7	50	7.96	45	0.35	530
LGA0307-5R6K	5.6	50	7.96	36	0.40	500
LGA0307-6R8K	6.8	50	7.96	30	0.45	470
LGA0307-8R2K	8.2	50	7.96	28	0.55	425
LGA0307-100K	10	50	7.96	22	0.72	370
LGA0307-120K	12	50	2.52	20	0.80	350
LGA0307-150K	15	50	2.52	16	0.88	335
LGA0307-180K	18	50	2.52	15	1.00	315
LGA0307-220K	22	60	2.52	13	1.20	285
LGA0307-270K	27	60	2.52	11	1.35	270
LGA0307-330K	33	50	2.52	10	1.50	255

LGA0307-390K	39	50	2.52	9.5	1.70	240
LGA0307-470K	47	50	2.52	8.5	2.30	205
LGA0307-560K	56	55	2.52	7.5	2.60	195
LGA0307-680K	68	55	2.52	6.5	3.20	185
LGA0307-820K	82	55	2.52	6.0	3.50	175
LGA0307-101K	100	60	2.52	5.5	3.80	165
LGA0307-121K	120	75	0.796	5.4	3.80	160
LGA0307-151K	150	75	0.796	4.75	4.40	150
LGA0307-181K	180	75	0.796	4.35	5.0	140
LGA0307-221K	220	75	0.796	4.0	5.7	130
LGA0307-271K	270	70	0.796	3.7	6.5	120
LGA0307-331K	330	70	0.796	3.4	9.5	100
LGA0307-391K	390	70	0.796	2.8	10.5	95
LGA0307-471K	470	70	0.796	2.4	12.5	90
LGA0307-561K	560	70	0.796	2.2	14.5	85
LGA0307-681K	680	70	0.796	2.0	18.0	75
LGA0307-821K	820	60	0.796	1.6	23.7	65
LGA0307-102K	1000	60	0.796	1.15	30.0	60

Inductance Tolerance: J: +5%; K: +10% ; M: +20%

※ Description of part name:

LGA 0307 - 120 K

1 2 3 4

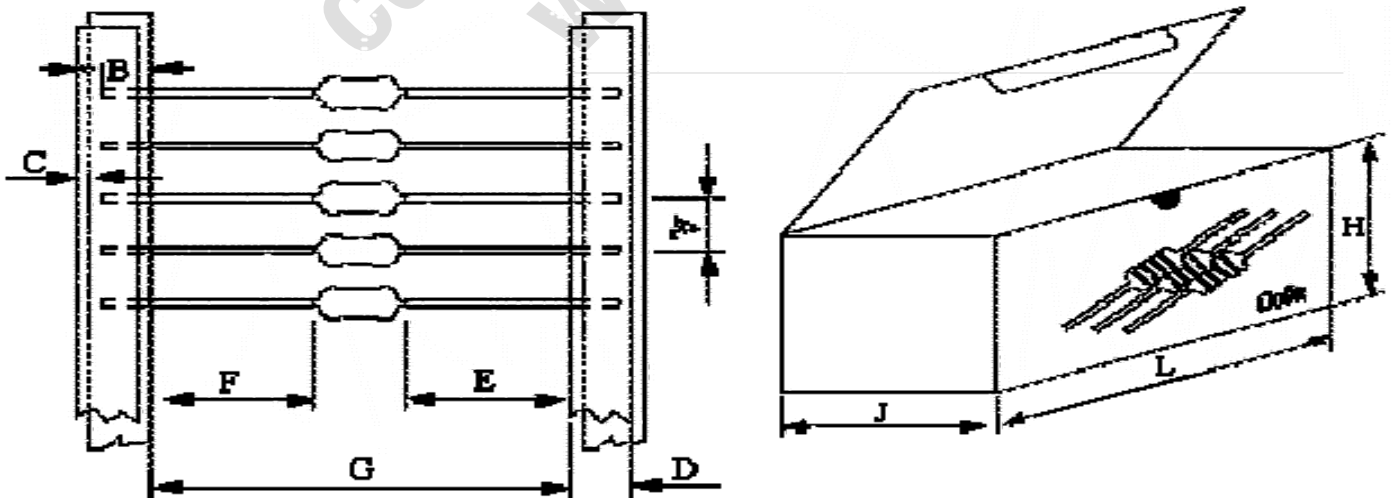
- 1 Product Type: Color ring inductance
- 2 Product Size
- 3 Inductance value: Example: 120 = 12uH
- 4 Inductance Tolerance Code (J: +5%; K: +10% ; M: +20%)

**Ratings:**

Max.Working Voltage(Breakdown Voltage): 250V r.m.s

Operating temperature range: -20℃ ~+80℃

※ Rated current: The DC current at which the inductance decreases to 75% of it's nominal value or when  $\Delta t=40^{\circ}\text{C}$ , whichever is lower( $T_a=20^{\circ}\text{C}$ ).



A	D	G	LGA0204	LGA0307	LGA0410	LGA0510
5mm	6mm	52mm	4000pcs/Box	3000pcs/Box	2000pcs/Box	1000pcs/Box
Bulk			1000pcs/Bag	1000pcs/Bag	1000pcs/Bag	1000pcs/Bag