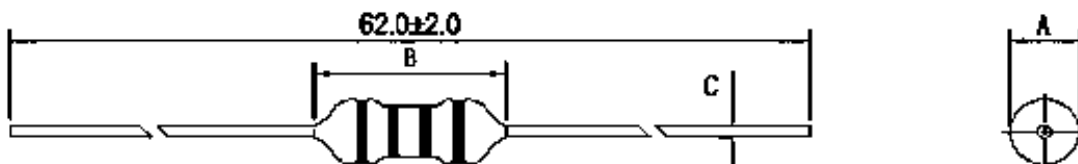




Dimensions (mm):

Name	A(Max)	B	C
LGA0204	2.8	4.0	0.5±0.1
LGA0307	3.0	7.0	0.5±0.1
LGA0410	4.0	10.0	0.6±0.1
LGA0510	5.0	10.0	0.6±0.1



LGA0204 inductance and rated current ranges: 0.1uH~1.0mH 700mA~20mA

Part Name	Inductor value (uH)	Quality factor (MIN)	Measuring Frequency (MHz)	SRF (MHz)MIN	DC resistance (OHM)MAX(at 20°C)	Rated Current (mA) MAX
LGA0204-R10M	0.10	50	25.2	250	0.030	700
LGA0204-R12M	0.12	55	25.2	230	0.035	660
LGA0204-R15M	0.15	55	25.2	200	0.040	620
LGA0204-R18M	0.18	55	25.2	180	0.045	600
LGA0204-R22M	0.22	55	25.2	160	0.050	400
LGA0204-R27M	0.27	50	25.2	150	0.065	380
LGA0204-R33M	0.33	50	25.2	150	0.075	370
LGA0204-R39M	0.39	50	25.2	150	0.080	350
LGA0204-R47M	0.47	60	25.2	150	0.085	330
LGA0204-R56M	0.56	60	25.2	150	0.090	320
LGA0204-R68M	0.68	50	25.2	120	0.10	310
LGA0204-R82M	0.82	50	25.2	110	0.15	290
LGA0204-1R0K	1.0	50	25.2	110	0.22	270
LGA0204-1R2K	1.2	40	7.96	100	0.30	260
LGA0204-1R5K	1.5	40	7.96	80	0.35	250
LGA0204-1R8K	1.8	40	7.96	65	0.45	240
LGA0204-2R2K	2.2	40	7.96	55	0.55	230
LGA0204-2R7K	2.7	40	7.96	50	0.60	220
LGA0204-3R3K	3.3	40	7.96	42	0.65	210
LGA0204-3R9K	3.9	45	7.96	38	0.85	200
LGA0204-4R7K	4.7	45	7.96	34	1.00	190
LGA0204-5R6K	5.6	45	7.96	32	1.15	180
LGA0204-6R8K	6.8	40	7.96	27	1.20	175
LGA0204-8R2K	8.2	40	7.96	26	1.25	165
LGA0204-100K	10	40	7.96	24	1.5	160
LGA0204-120K	12	50	2.52	19	2.2	150
LGA0204-150K	15	50	2.52	18	2.5	145
LGA0204-180K	18	50	2.52	17	2.8	140
LGA0204-220K	22	50	2.52	16	3.0	130
LGA0204-270K	27	55	2.52	14	3.5	80
LGA0204-330K	33	55	2.52	13	3.8	76
LGA0204-390K	39	50	2.52	12	4.2	74

LGA0204-470K	47	50	2.52	11	5.8	70
LGA0204-560K	56	50	2.52	10	6.4	68
LGA0204-680K	68	50	2.52	9.5	7.2	64
LGA0204-820K	82	50	2.52	9.0	8.5	46
LGA0204-101K	100	50	2.52	7.2	11	44
LGA0204-121K	120	30	0.796	6.5	19	42
LGA0204-151K	150	30	0.796	6.0	22	39
LGA0204-181K	180	30	0.796	5.2	24	37
LGA0204-221K	220	30	0.796	4.5	28	35
LGA0204-271K	270	30	0.796	3.5	29	28
LGA0204-331K	330	30	0.796	3.0	30	26
LGA0204-391K	390	30	0.796	2.7	32	25
LGA0204-471K	470	30	0.796	2.6	35	24
LGA0204-561K	560	30	0.796	2.5	40	23
LGA0204-681K	680	30	0.796	2.2	42	22
LGA0204-821K	820	30	0.796	2.1	46	21
LGA0204-102K	1000	30	0.796	2.0	52	20

Inductance Tolerance: J: +5%; K: +10% ; M: +20%

※ Description of part name:

LGA 0204 - 100 K

1 2 3 4

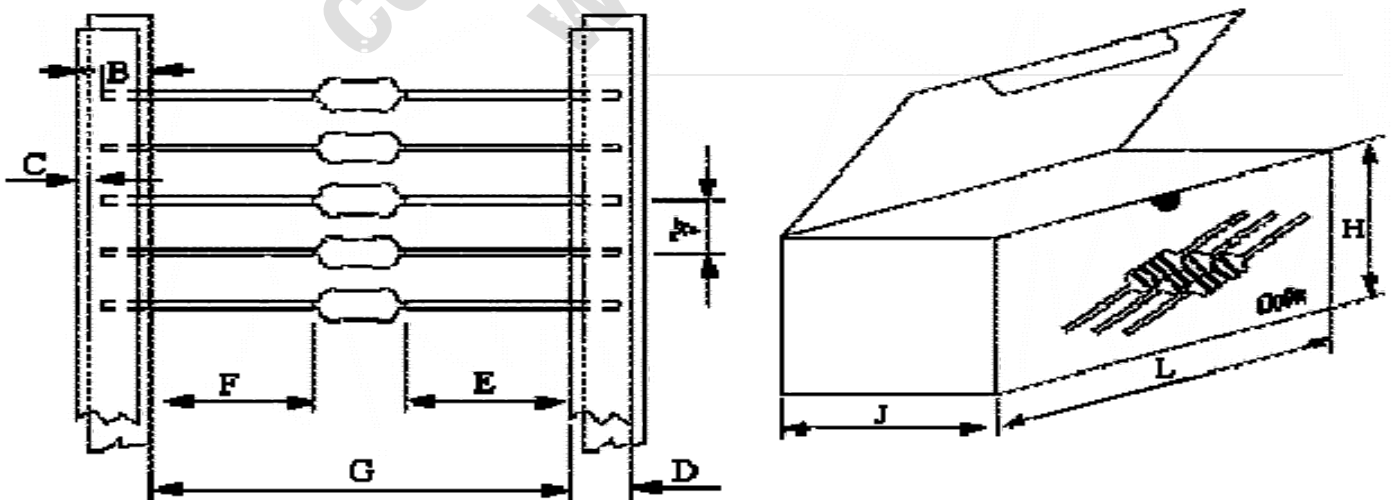
1 Product Type: color ring inductance

2 Product Size

3 Inductance value: Example: 100 = 10uH

4 Inductance Tolerance Code (J: +5%; K: +10% ; M: +20%)

※ 1. Rated current: The DC current at which the inductance decreases to 75% of it's nominal value or when  $\Delta t=40^{\circ}\text{C}$ , whichever is lower ( $T_a=20^{\circ}\text{C}$ ).



A	D	G	LGA0204	LGA0307	LGA0410	LGA0510
5mm	6mm	52mm	4000pcs/Box	3000pcs/Box	2000pcs/Box	1000pcs/Box
Bulk			1000pcs/Bag	1000pcs/Bag	1000pcs/Bag	1000pcs/Bag