

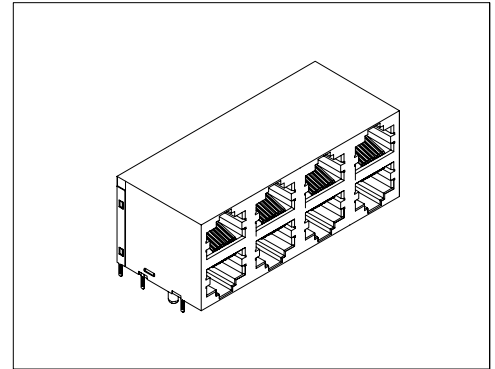
Specifications:

Electrical:

Current Rating: 1.5A
 Dielectric Withstanding Voltage: 1000VAC for one minute
 Contact Resistance: 35mΩ max
 Insulation Resistance: 1000MΩ min
 Operating Temperature: -40°C ~ +85°C

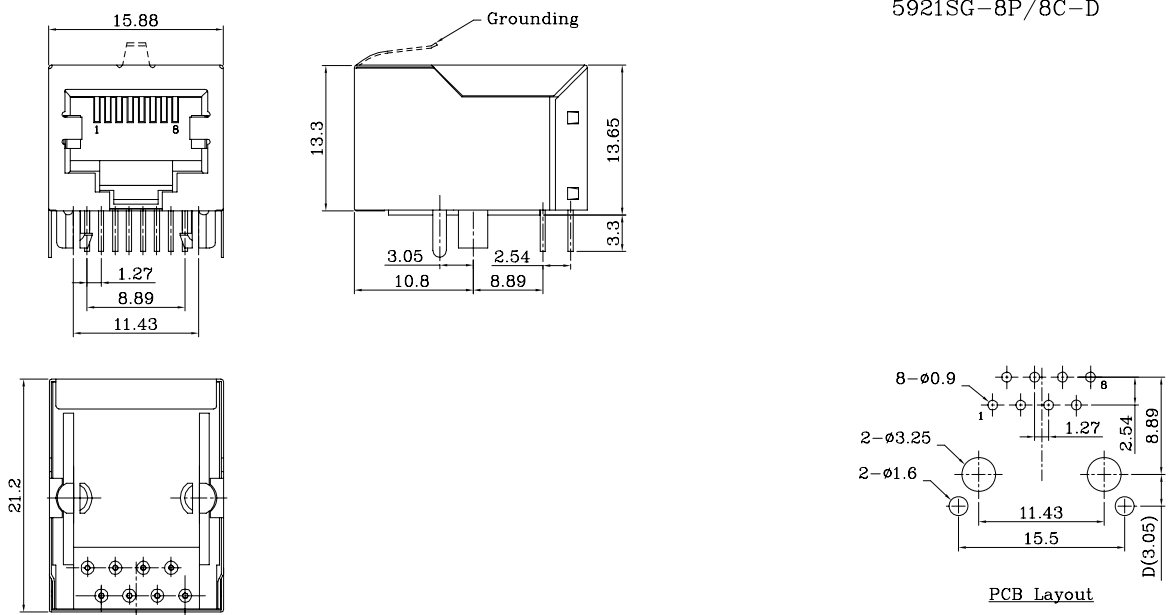
Physical:

Insulator: P.B.T
 Flammability Rating: UL 94V-0
 Contacts: Phosphor Bronze
 Contacts plating: Gold Plating Over Nickel

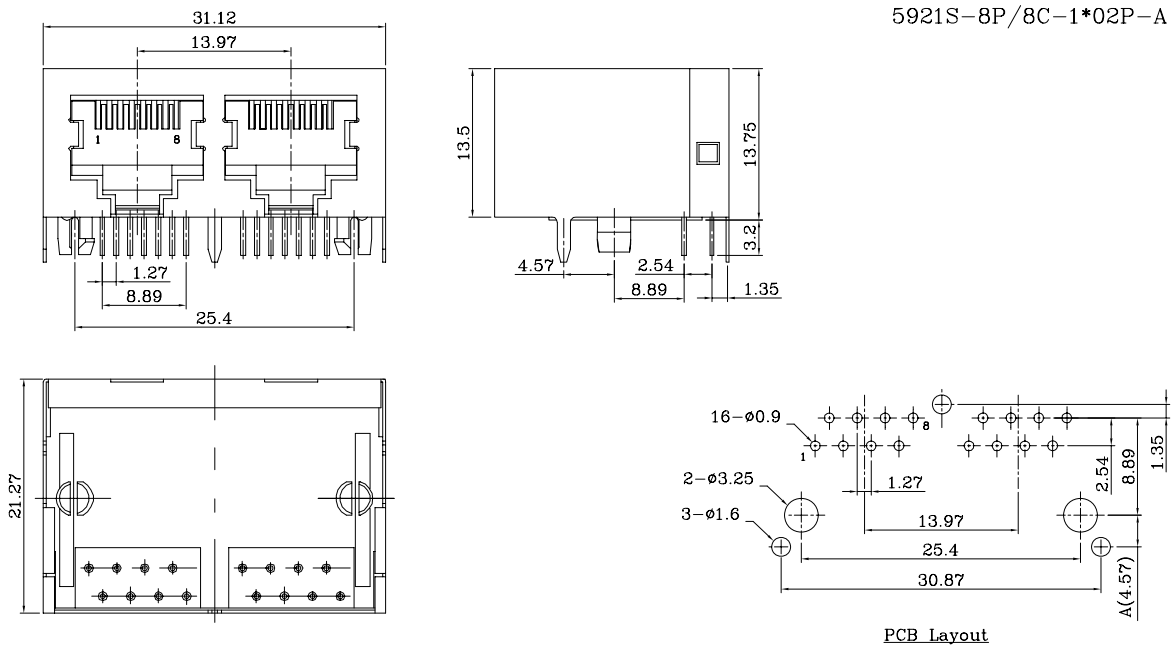


Dimension: mm

5921SG-8P/8C-D

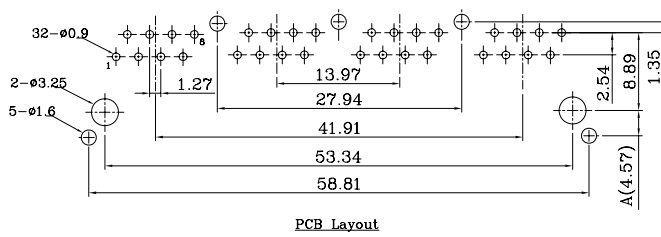
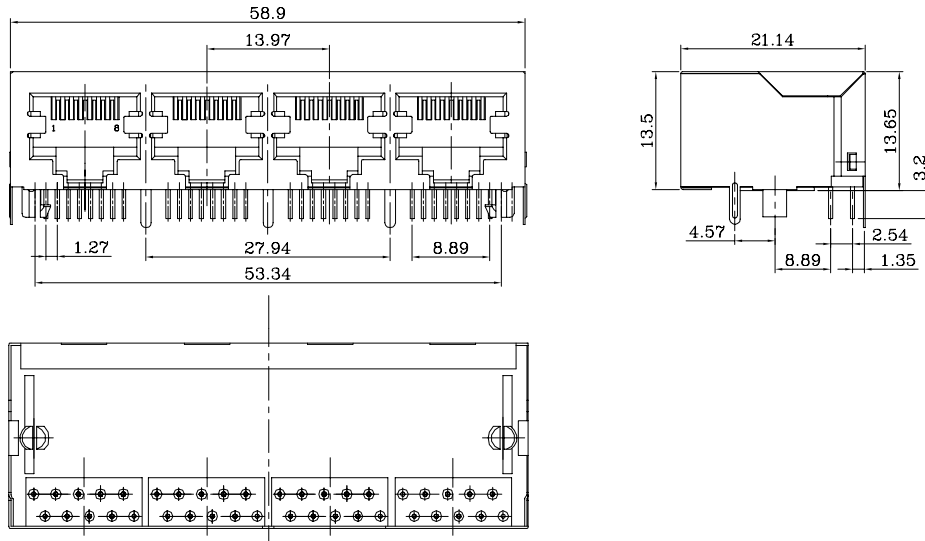


5921S-8P/8C-1*02P-A

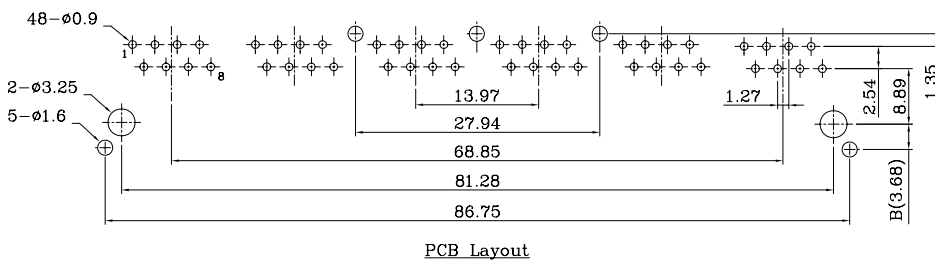
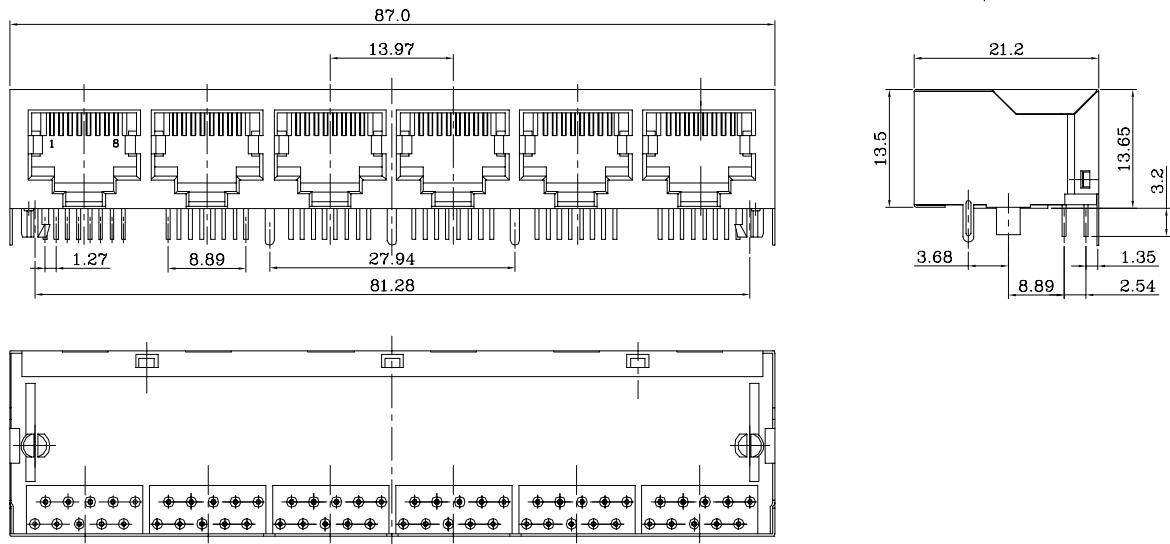


Dimension: mm

5921S-8P/8C-1*04P-A

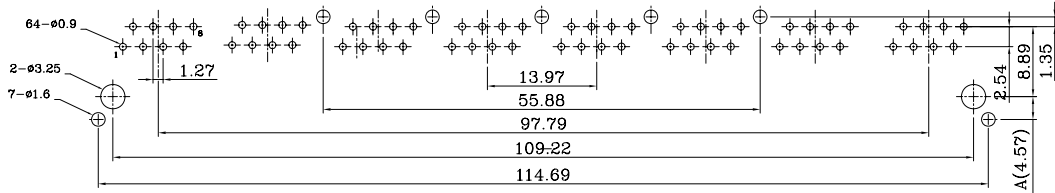
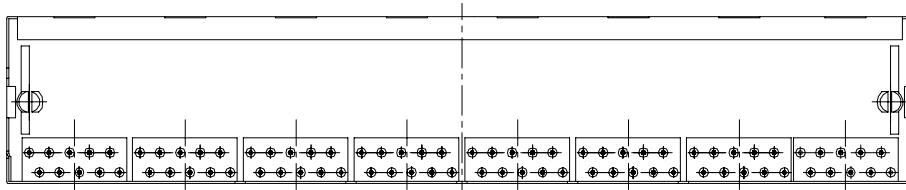
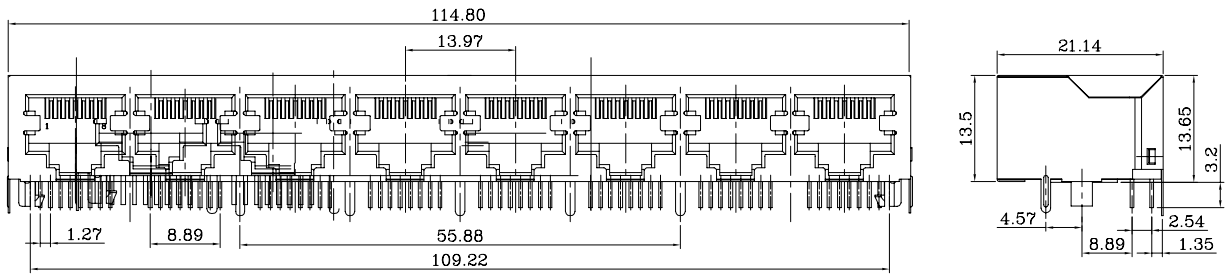


5921S-8P/8C-1*06P-B



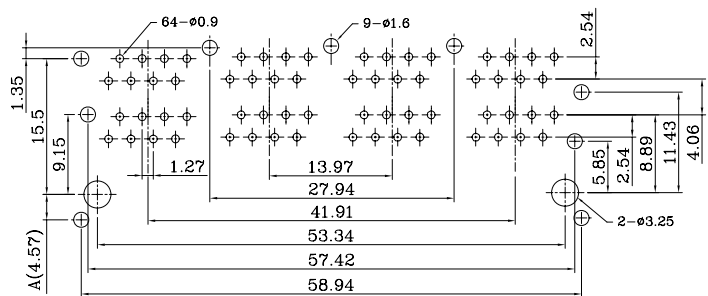
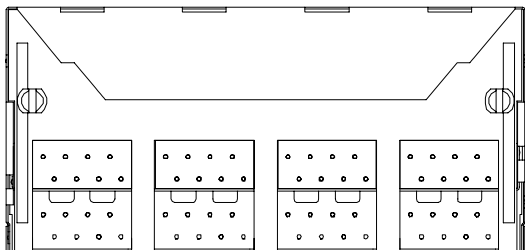
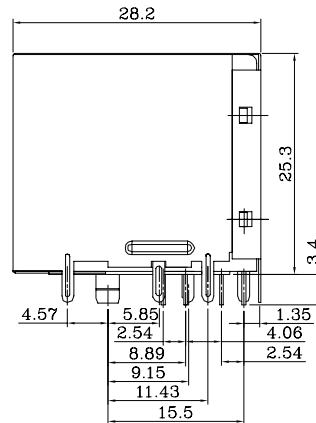
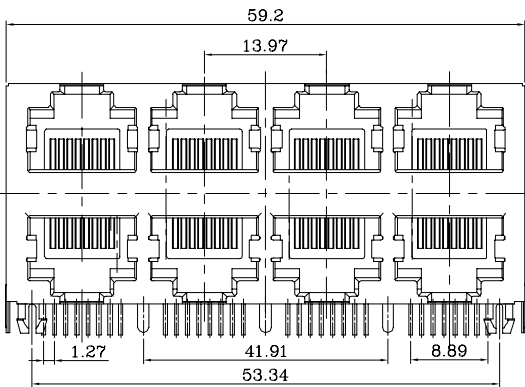
Dimension: mm

5921S-8P/8C-1*08P-A

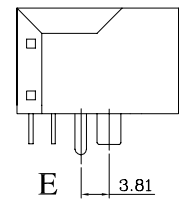
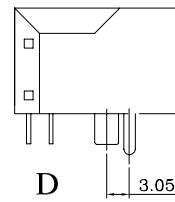
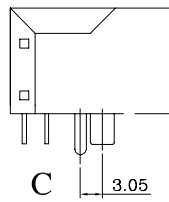
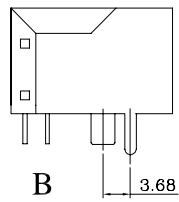
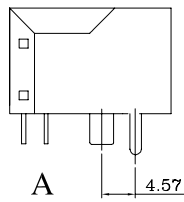


PCB Layout

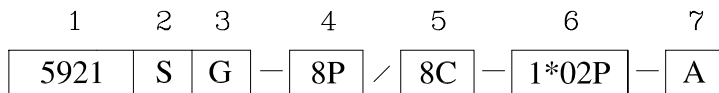
5921S-8P/8C-2*04P-A



PCB Layout



Ordering Code:



1. Series No. 5921

2. Shield: S = Shield

3. EMI Option:

G = With Grounding

N/A = W/O Grounding

4. Position: 8P

5. Contacts: 8C

6. Ports:

N/A = 1 Ports

1*02P = 2 Ports

1*04P = 4 Ports

1*06P = 6 Ports

1*08P = 8 Ports

2*04P = 8 Ports

7. Option:

A = Feet Before 4.57mm

B = Feet Before 3.68mm

C = Feet Behind 3.05mm

D = Feet Before 3.05mm

E = Feet Behind 3.81mm