

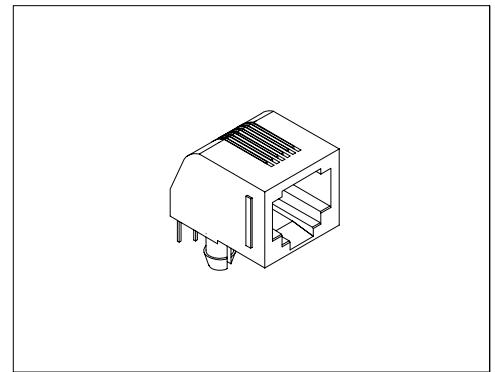
Specifications:

**Electrical:**

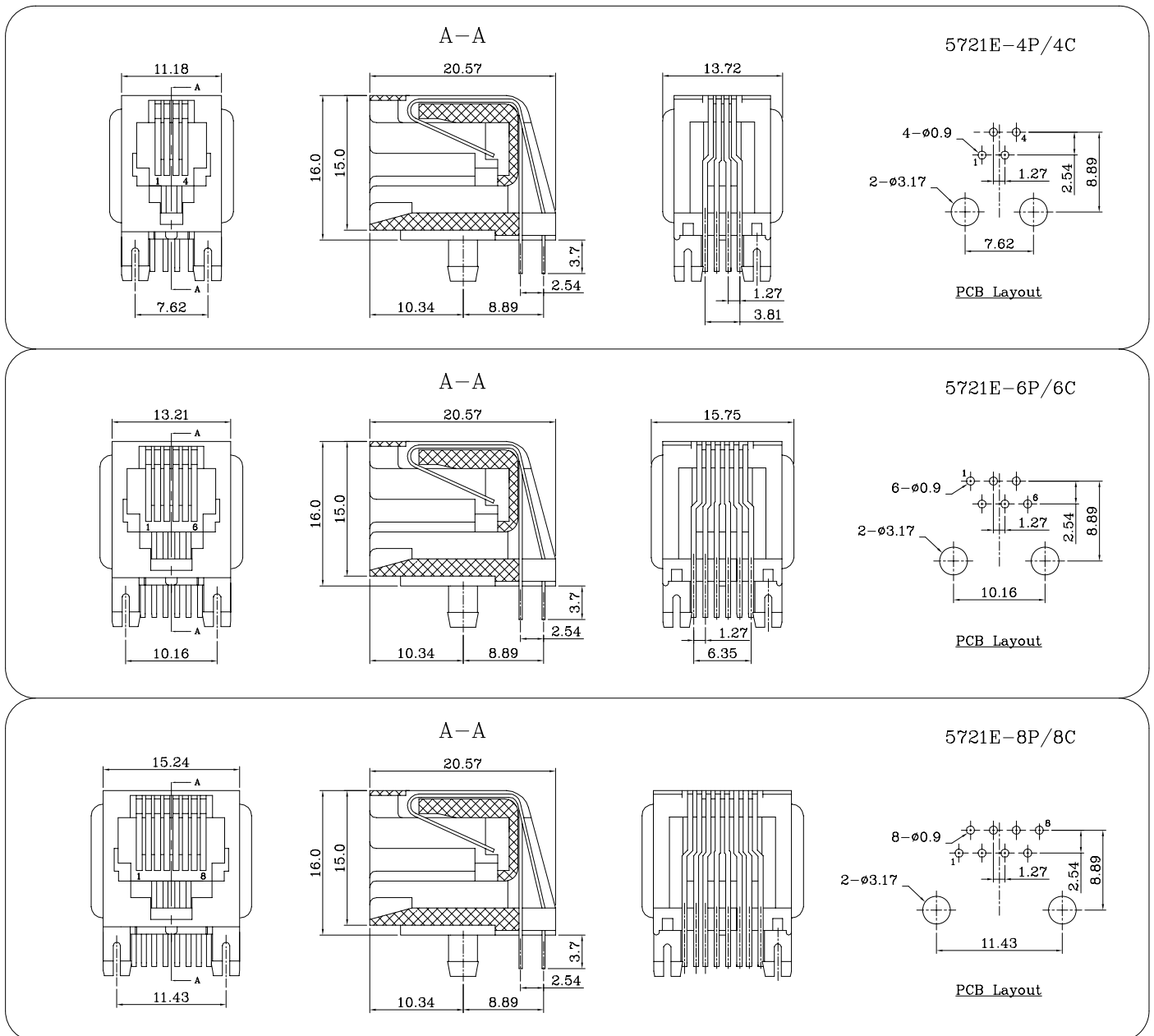
Current Rating: 1.5A  
 Dielectric Withstanding Voltage: 1000VAC for one minute  
 Contact Resistance: 35mΩ max  
 Insulation Resistance: 1000MΩ min  
 Operating Temperature: -40°C ~ +85°C

**Physical:**

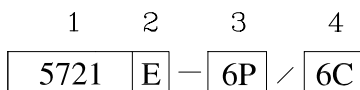
Insulator: P.B.T  
 Flammability Rating: UL 94V-0  
 Contacts: Phosphor Bronze  
 Contacts plating: Gold Plating Over Nickel



Dimension: mm



Ordering Code:



1. Series No. 5721  
 2. Ear Option: E = With Ear

3. Position: 4P, 6P, 8P  
 4. Contacts: 4C, 6C, 8C