

56S SERIES Modular Jack Side Entry Dip Type With LED iENK Electronic

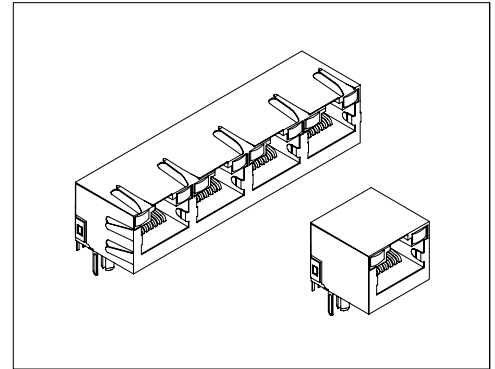
Specifications:

Electrical:

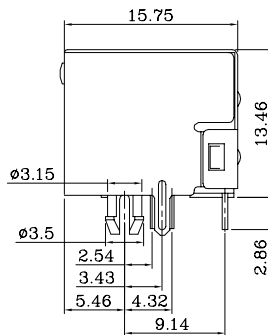
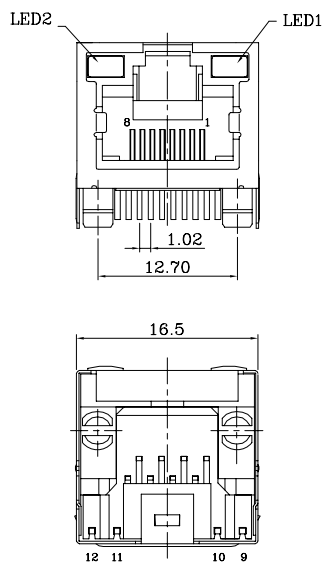
Current Rating: 1.5A
 Dielectric Withstanding Voltage: 1000VAC for one minute
 Contact Resistance: 35mΩ max
 Insulation Resistance: 1000MΩ min
 Operating Temperature: -40°C ~ +85°C

Physical:

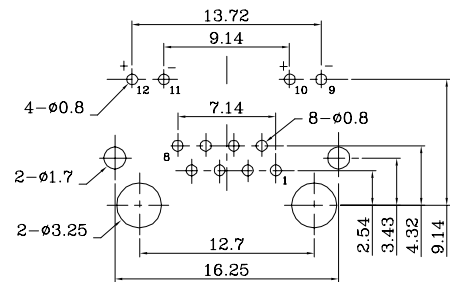
Insulator: P.B.T
 Flammability Rating: UL 94V-0
 Contacts: Phosphor Bronze
 Contacts plating: Gold Plating Over Nickel



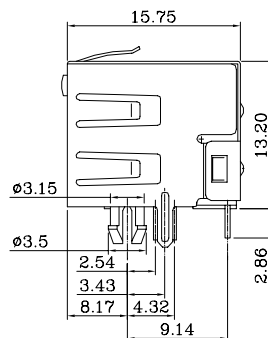
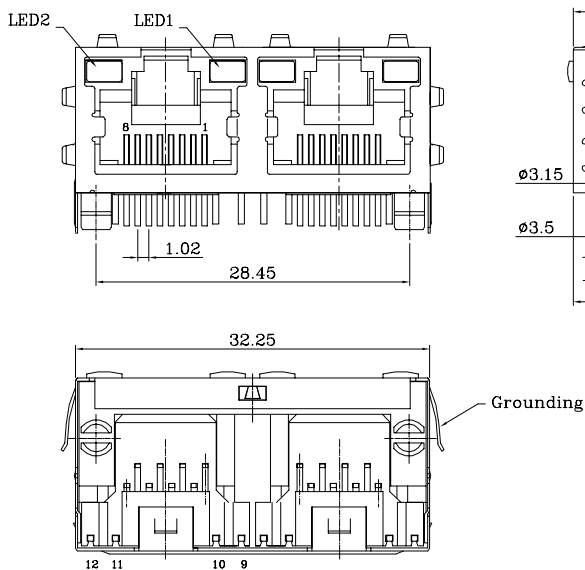
Dimension: mm



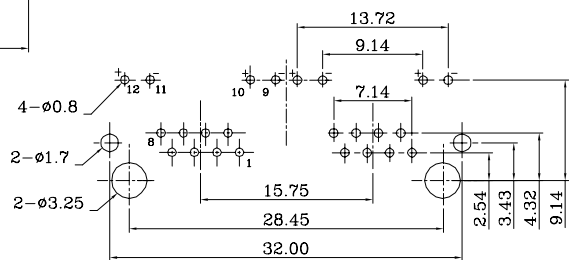
56S-8P/8C-G/Y



PCB Layout



56SG-8P/8C-G/Y-1*02P

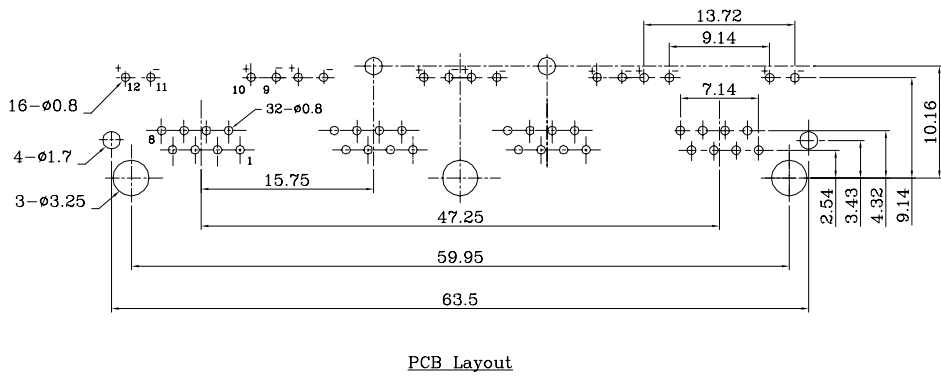
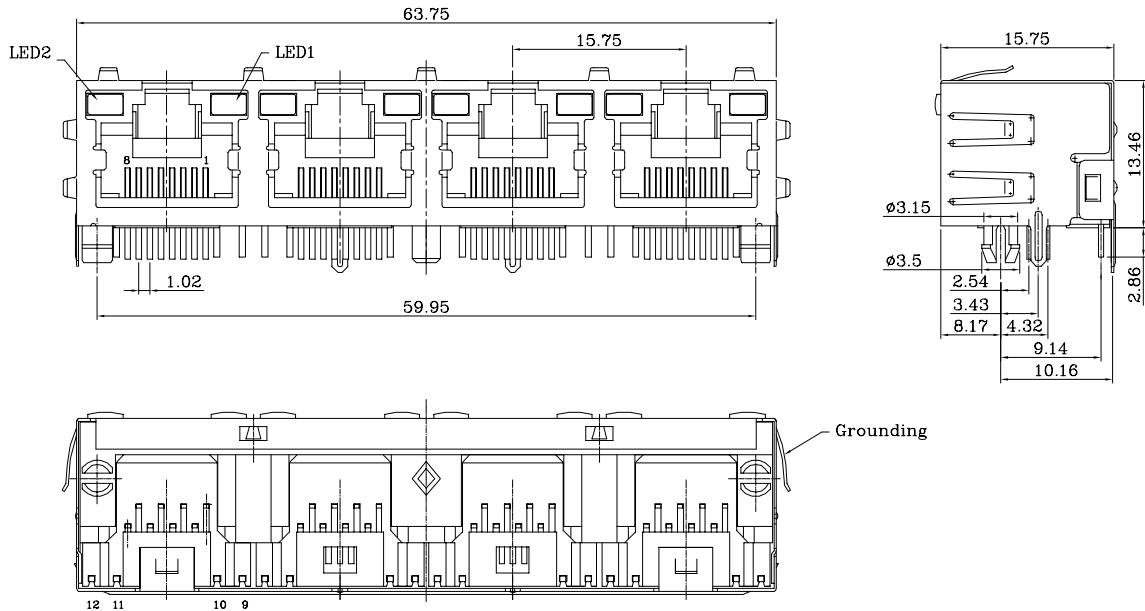


PCB Layout

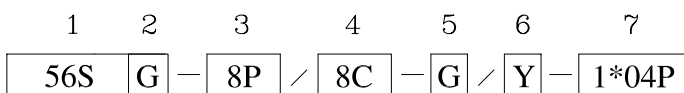
56S SERIES Modular Jack Side Entry Dip Type With LED **iENK Electronic**

Dimension: mm

56SG-LED-8P/8C-G/Y-1*04P



Ordering Code:



1. Series No. 56S

2. EMI Option:

G = With Grounding

N/A = W/O Grounding

3. Position: 8P

4. Contacts: 8C

5. LED1 Color:

G = Green

R = Red

6. LED2 Color:

Y = Yellow

G = Green

7. Ports: N/A = 1 Ports

1*02P = 2 Ports

1*04P = 4 Ports