

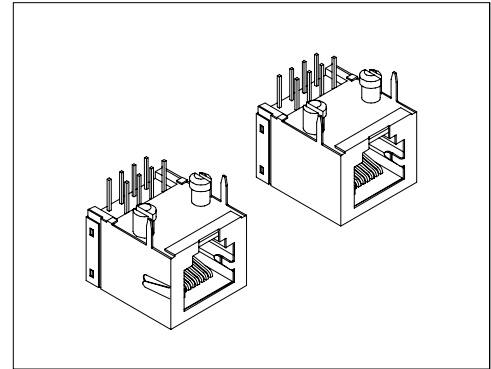
Specifications:

Electrical:

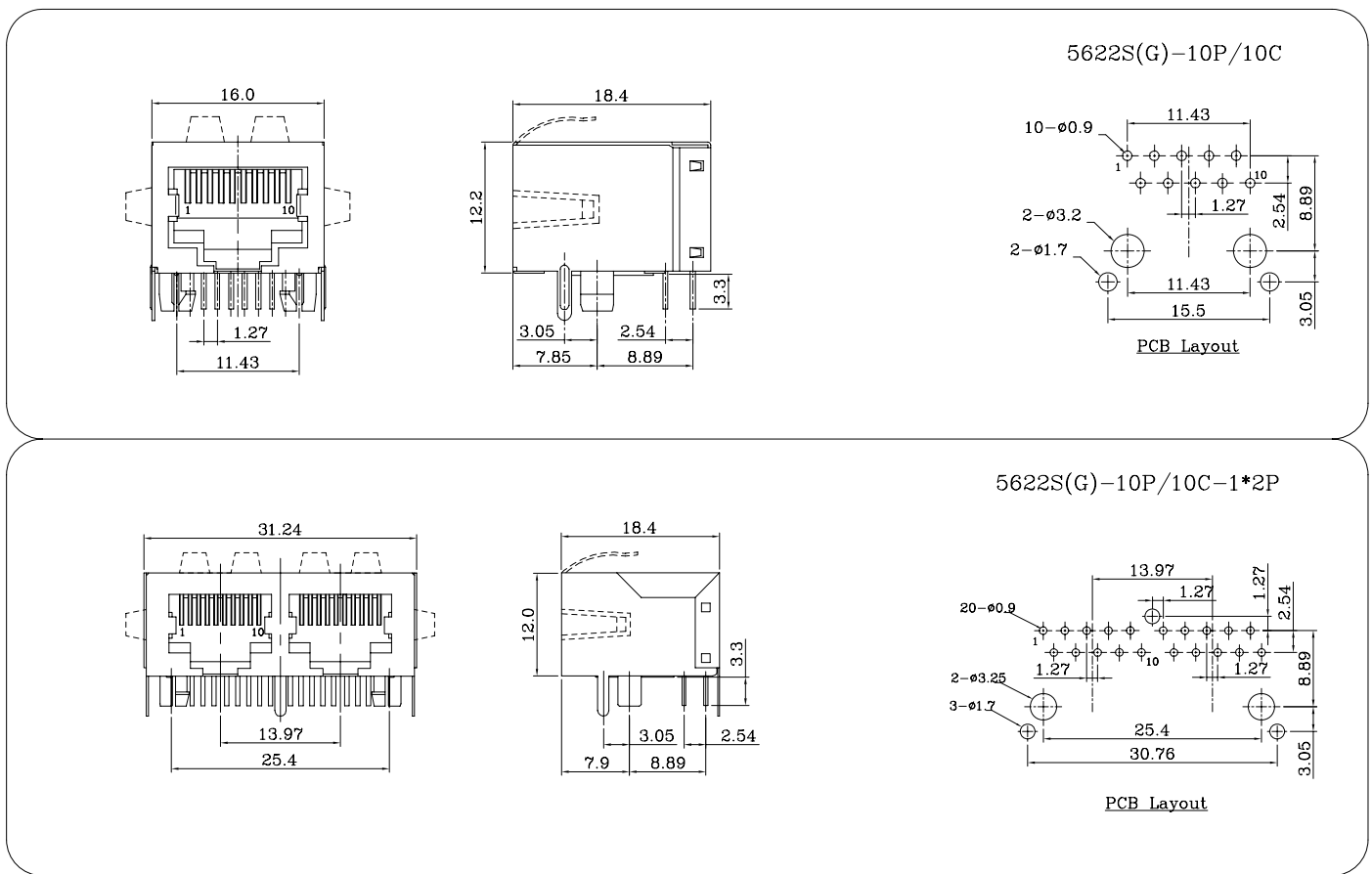
Current Rating: 1.5A
 Dielectric Withstanding Voltage: 1000VAC for one minute
 Contact Resistance: 35mΩ max
 Insulation Resistance: 1000MΩ min
 Operating Temperature: -40°C ~ +85°C

Physical:

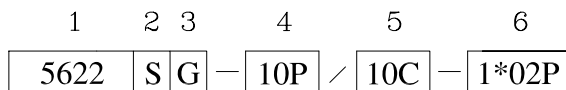
Insulator: P.B.T
 Flammability Rating: UL 94V-0
 Contacts: Phosphor Bronze
 Contacts plating: Gold Plating Over Nickel



Dimension: mm



Ordering Code:



1. Series No. 5622

2. Shield: S = Shield

3. EMI Option: G = With Grounding

N/A = W/O Grounding

4. Position: 10P

5. Contacts: 8C.10C

6. Ports: N/A = 1 Ports

1*02P = 2 Ports

1*04P = 4 Ports