

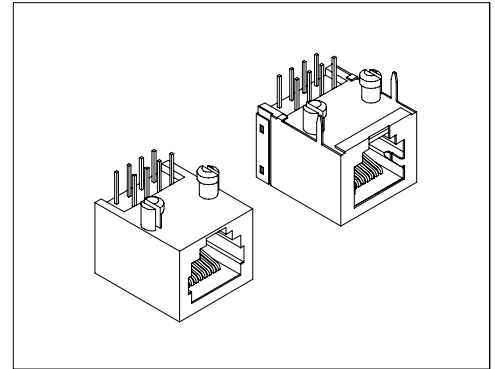
Specifications:

Electrical:

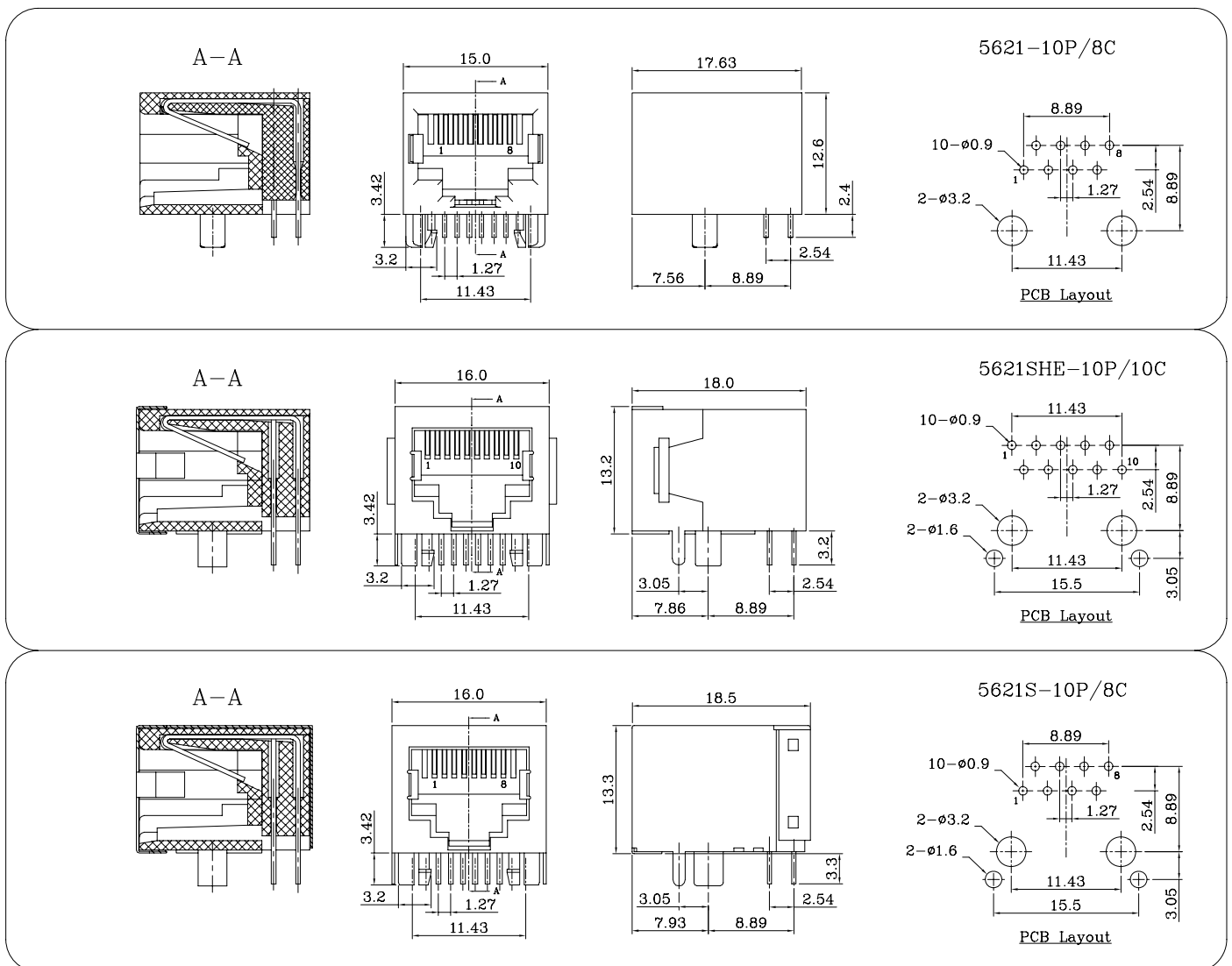
Current Rating: 1.5A  
 Dielectric Withstanding Voltage: 1000VAC for one minute  
 Contact Resistance: 35mΩ max  
 Insulation Resistance: 1000MΩ min  
 Operating Temperature: -40°C ~ +85°C

Physical:

Insulator: P.B.T  
 Flammability Rating: UL 94V-0  
 Contacts: Phosphor Bronze  
 Contacts plating: Gold Plating Over Nickel



Dimension: mm



Ordering Code:

1. Series No. 5621
2. Shield: S = Shield  
 SH = Half the Shield  
 N/A = W/O Shield
3. Ear Option: N/A = W/O Ear, E = With Ear

1	2	3	4	5
5621	S	E	10P	8C

4. Position: 10P
5. Contacts: 8C.10C