

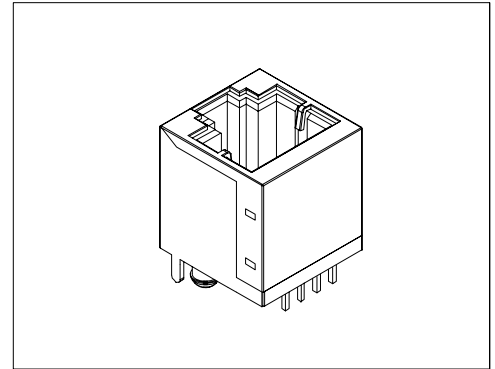
Specifications:

Electrical:

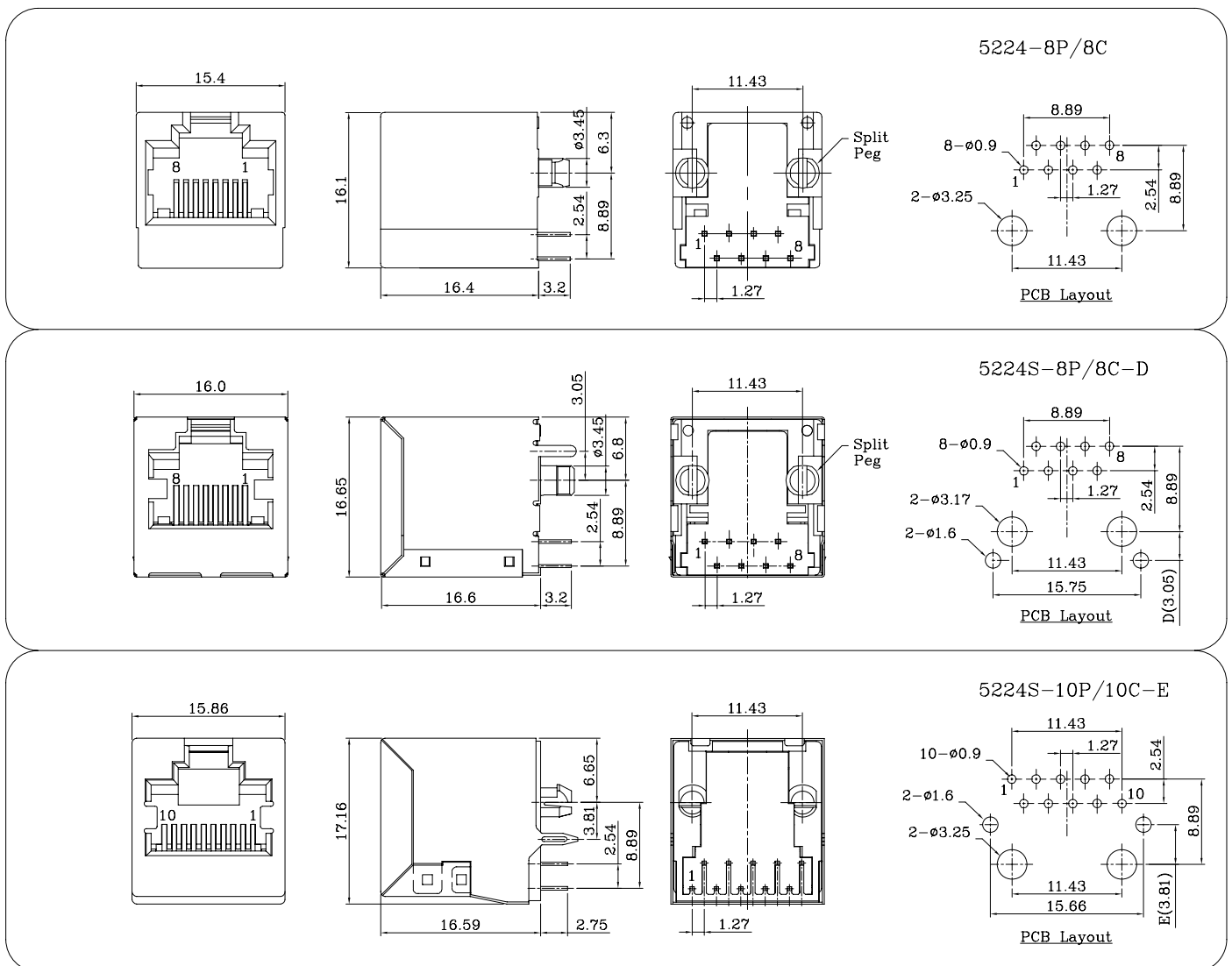
Current Rating: 1.5A
 Dielectric Withstanding Voltage: 1000VAC for one minute
 Contact Resistance: 35mΩ max
 Insulation Resistance: 1000MΩ min
 Operating Temperature: -40°C ~ +85°C

Physical:

Insulator: P.B.T
 Flammability Rating: UL 94V-0
 Contacts: Phosphor Bronze
 Contacts plating: Gold Plating Over Nickel

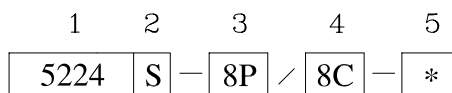


Dimension: mm



Ordering Code:

- 1. Series No. 5224
- 2. Shield: S = With Shield
N/A = W/O Shield
- 3. Position: 8P, 10P
- 4. Contacts: 4C, 6C, 8C, 10C



- 5. Option: A = Feet Before 4.57mm, C = Feet Behind 3.05mm.
 B = Feet Before 3.68mm, E = Feet Behind 3.81mm.
 D = Feet Before 3.05mm,