

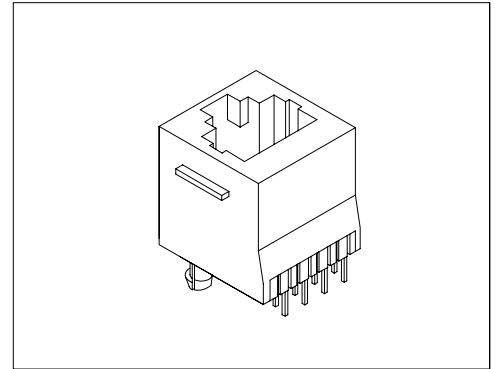
Specifications:

Electrical:

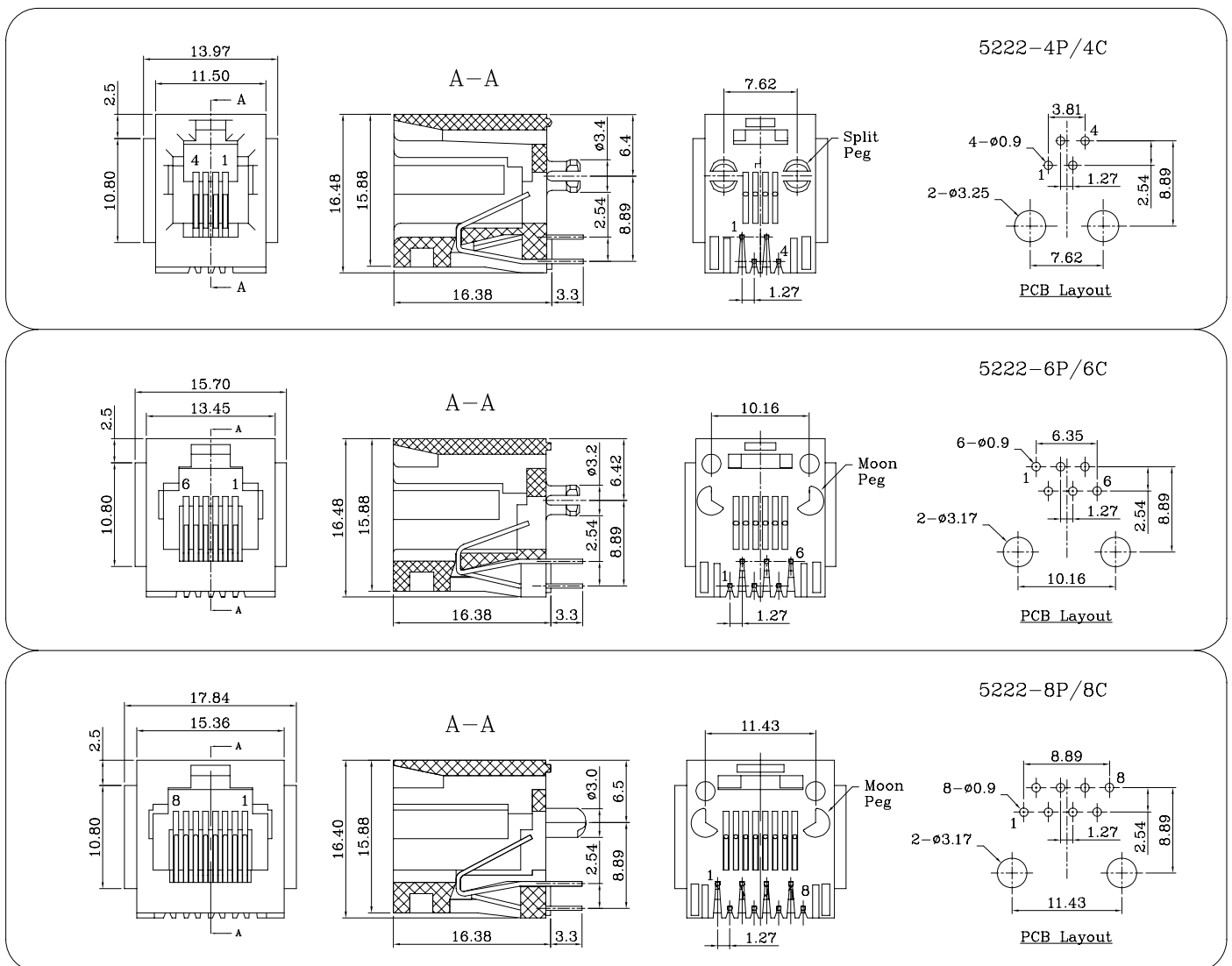
Current Rating: 1.5A
 Dielectric Withstanding Voltage: 1000VAC for one minute
 Contact Resistance: 35mΩ max
 Insulation Resistance: 1000MΩ min
 Operating Temperature: -40°C ~ +85°C

Physical:

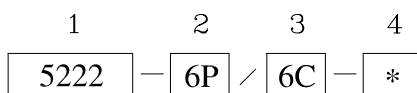
Insulator: P.B.T
 Flammability Rating: UL 94V-0
 Contacts: Phosphor Bronze
 Contacts plating: Gold Plating Over Nickel



Dimension: mm



Ordering Code:



- | | |
|-------------------------|-----------------------------|
| 1. Series No. 5222 | 3. Contacts: 2C, 4C, 6C, 8C |
| 2. Position: 4P, 6P, 8P | 4. Color: N/A = Black |